

# TECHNICAL DATA SHEET

## DGY12-30D



### Applications



**CYCLIC**



**STATIONARY**



**SOLAR**



**MARINE**

### Specifications

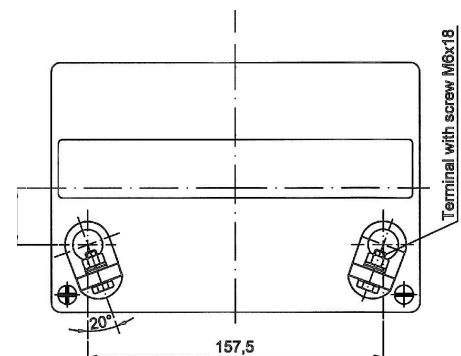
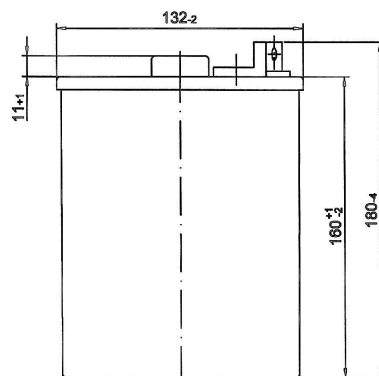
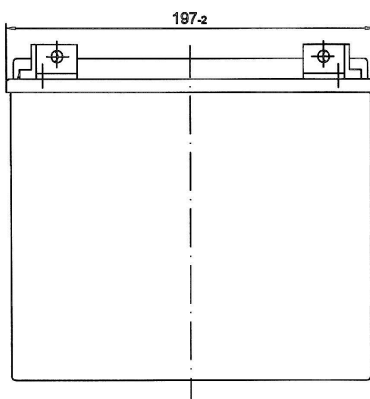
#### PERFORMANCES

Voltage (V):	12 V	
C20 (Ah):	30.0	20 h
Rc (min):	0	
Cranking (A):	180	EN
Vibration:	V3 (35Hz/6g/20h)	
Endurance:	250 cycles@100%	
Charge:	CHARGED	
Technology:	GEL	
Grid:	Ca/Ca	
Compliance C20 (Ah):	0.00	
Compliance CCA (A):	0.00	

#### WEIGHT AND STD. DIMENSIONS

Battery Weight (kg ± 5%):	11.1
Volume acid (l ± 5%):	2.4
Length (mm ± 2):	197
Width (mm ± 2):	132
Height (mm ± 2):	186

### Dimensions



#### CONTAINER

Type:	U01	GREY MEDIUM
Hold Down:	B0	
H.D. Adapter:	No	

#### COVER

Type:	Flat/Screw	GREY MEDIUM
Polarity:	ETN 1	
Terminals:	EN full Ford lug	
Terminal Adapter:	No	
SOCI:	No	
Ventilation:	Independent	
Filter:	No	
Lateral Plug:	No	

#### PLUGS

Type:	6 x Valve+Cover	GREY MEDIUM
-------	-----------------	-------------

#### HANDLES

Type:	None
-------	------

#### OTHERS

Degassing Tube:	No
-----------------	----